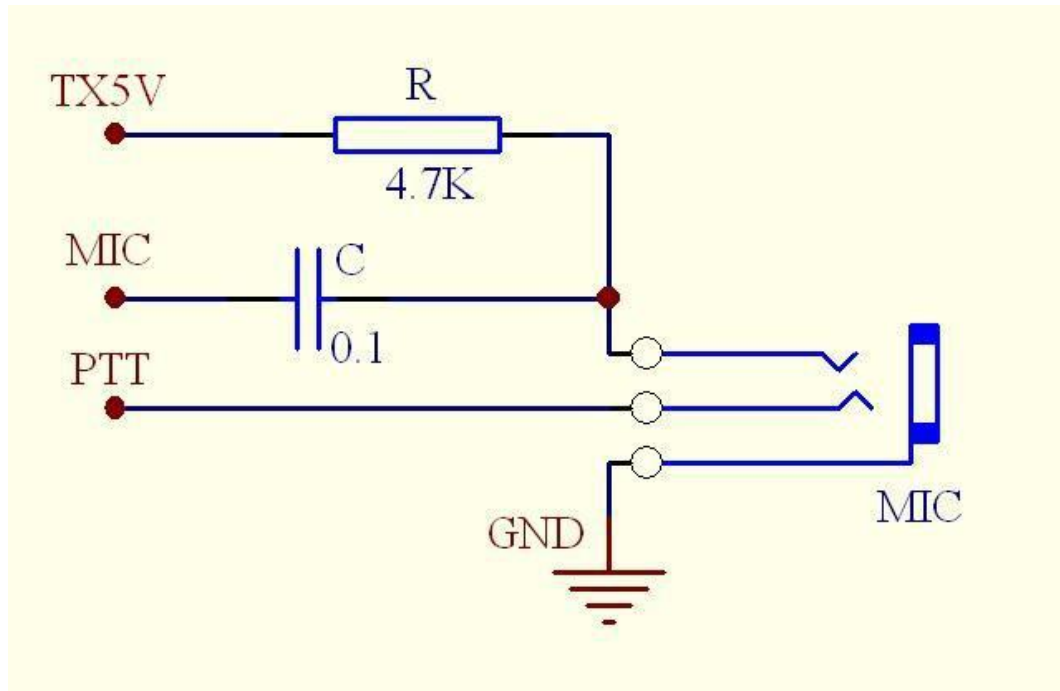


Add Mic into DR-4020 as 20m QRP SSB Radio

DR4020 is a radio designed for data communication, but it is easy to modify to USB function. Just add a few components as shown below.

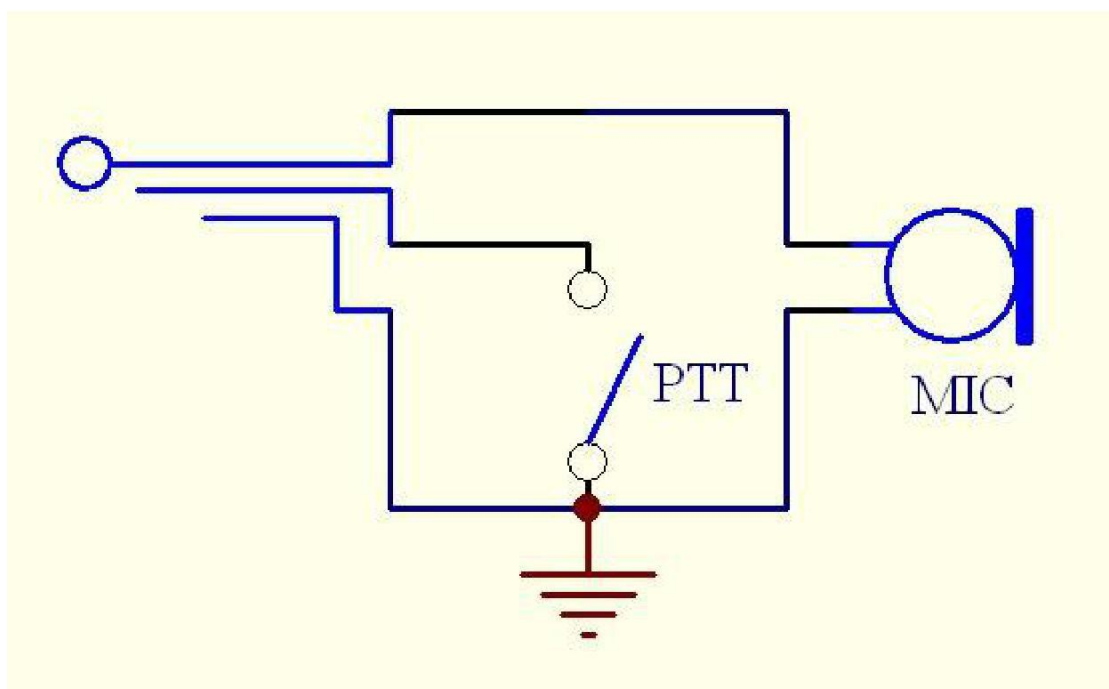
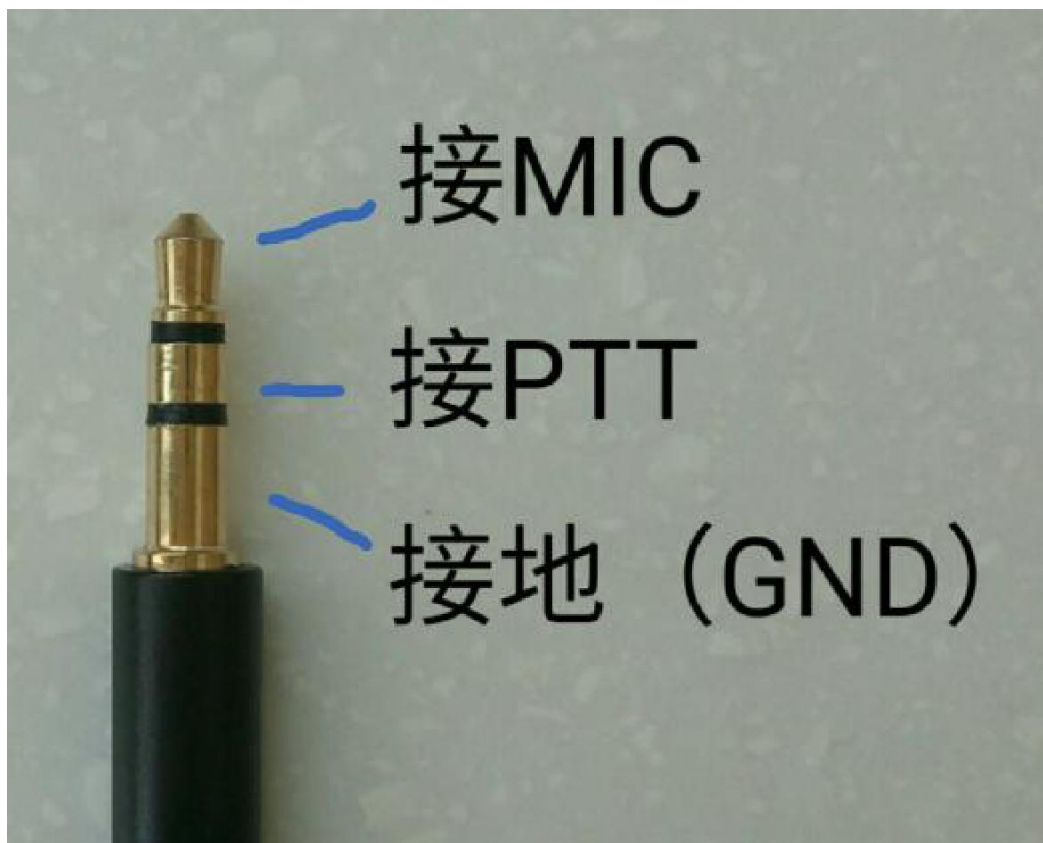


The TX5V, PTT, MIC and GND pads have been reserved on the PCB board, as long as the wires are connected to the corresponding pads as shown in the figure. The mounting hole of the stereo headphone socket should be opened in the appropriate position on the back panel.

mic



Connections for MIC



Electret condenser microphone may be used.



Addon MIC jack shown above.

Since DR-4020 is a radio designed for data communication, the audio output (DATA OUT) is connected to the computer's MIC input, and its amplitude is small. When used for SSB, its audio output is too small. An external audio amplifier must be used to amplify the output signal, you can use active speakers to amplify the received SSB signal.

Wuxi Venus Information Technology Co., Ltd